

Product Feature:

Item No.: M23AX00A



1. 5050 SMD LED as light source, super luminous flux, large viewing angle, even lighting, low attenuation.
2. Best cost performance, high color constancy.
3. 98% transmittance lens, viewing angle: 120°
4. IP grade: IP65
5. The exposed Aluminum plate for heat dissipation
6. Energy saving, environment-friendly, long life span 50,000hrs.

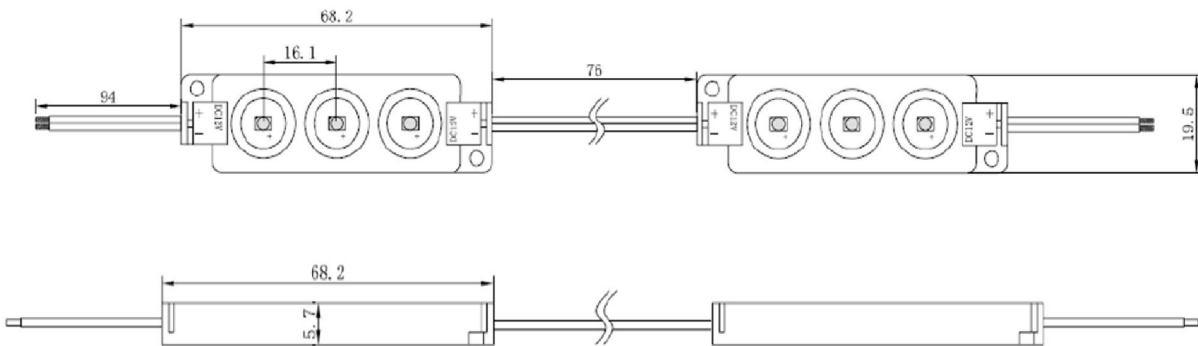
Specification

Item No.	LED type	Angle	Available Color	Luminous Flux (lm)	Wavelength Scope (nm/K)	Working Voltage	Power	Life Span
M23AR00A	TOP 5050	≥ 120	Red	19.5	619-635 nm	DC12V	0.72W/pcs	50000h
M23AY00A		≥ 120	Yellow	15.6	584-595 nm			
M23AG10A		≥ 120	Green	37.5	512-528 nm			
M23AB00A		≥ 120	Blue	12	463-475 nm			
M23AN00A		≥ 120	Warm white	60	2700-3300 K			
M23AW00A		≥ 120	Natural white	60	4000-4500K			
M23AW00A		≥ 120	Cold white	60	5500-6500K			

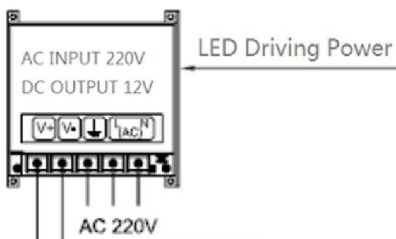
Parameters

LED Qty	Max Length	IP grade	Wires	Shell	Driving Method	Working Temperature	Store Temperature
3pcs	≤ 20pcs	IP65	UL1007 20#line Grey&White wires, Grey=positive wire, White=negative wire; length 100mm	ABS	constant voltage	-40°C — +50°C	-50°C — +60°C

Dimension (Unit:mm) :

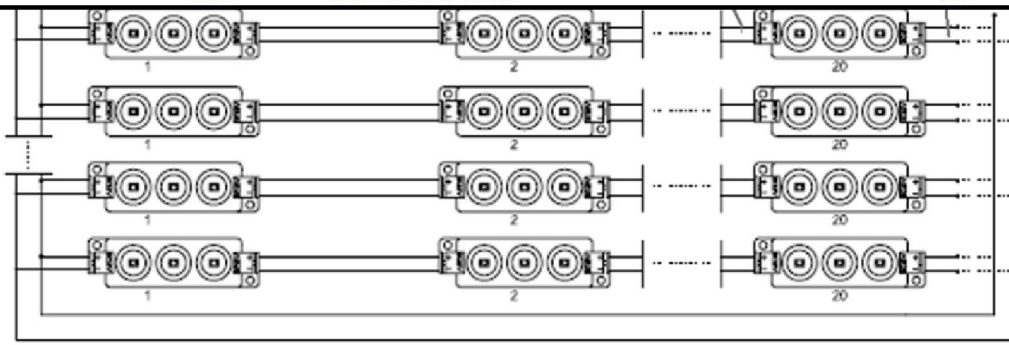


Connection Diagram (Unit: mm)



<p>Connecting method 1:</p> <p>Do not connect within main wire, emwrap the tail with nonconductor tape!</p>	<p>Connecting method 2:</p> <p>Connect with the main wire, emwrap the head with nonconductor tape!</p>
Method 1	Method 2

Make your signage better



1. The thickness of the wires shall be adopted based on the possible current, products power, length of the wire extension (5 meter at maximum as recommended) and the loss in the wires transit at low voltage.
2. The both ends of extension shall be dealt with as waterproof;
3. Don't work under the situations of touching in static-electronics environments or light on
4. The modules can be connected to 20 pcs at maximum and no exceed;
5. Suggest choosing high-qualified switch power (have short electronics, overvoltage and overloading protection function etc)